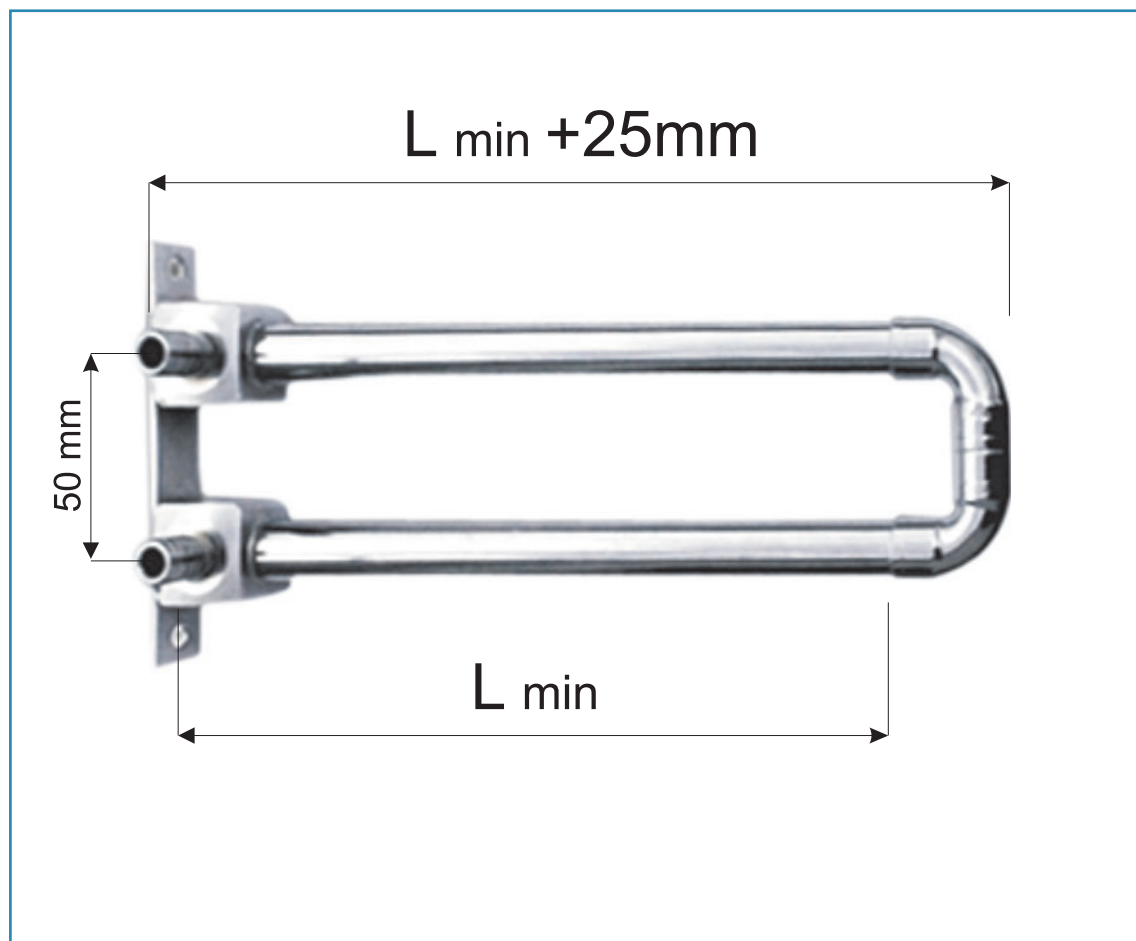


SYSTEM **KAN-therm** Push

Push double fixed elbow for radiator connection with dia 15 copper pipe, nickel plated, L=200mm Ø12x2



Description of the product:

Elbow is used to connect VK radiators next to installation output from the floor or the wall. Element's design allows pressure test to be realised without necessity to mount radiators. For connections only **KAN** elements should be used:

- compression set for copper pipe G1/2": 629201N
- straight female nipple body G1/2"xG1/2": 9001.35
- eurocone adapter for pipe Cu15 G3/4"

Code:	9016.240
Catalogue net price:	According to SYSTEM KAN-therm catalogue
Date of introduction:	January 2008
Dimension:	12x2 L=200 mm
Qty. bag/box	-/20